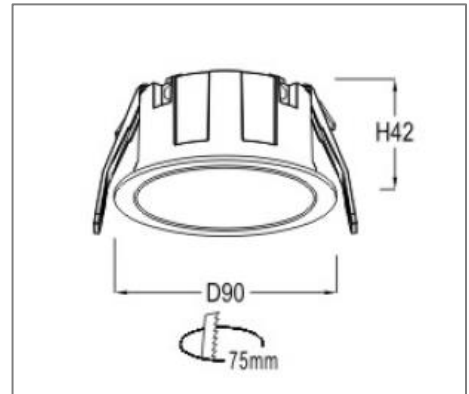


RING-A-03 SERIES

Application

Recessed ceiling wall washer is designed to use for office buildings, shopping centers, convenience stores, modern trade stores, discount stores, hotels, restaurants, residences, recreation centers, museums, etc.

Reflector Options



Ordering Data

Part No.	Dimension (mm)	Reflector Options
EVO-RING-A-02-B	90 (D), 42(H)	Black Gloss
EVO-RING-A-02-M	90 (D), 42(H)	Mirror
EVO-RING-A-02-S	90 (D), 42(H)	Silver
EVO-RING-A-02-G	90 (D), 42(H)	Golden

Related Product : Applicable with digital catalogue only
 (Please click the product photo to redirect towards the respective cut-sheet)



* Product specification subject to change according to technology improvement.