

FLTG100 SERIES

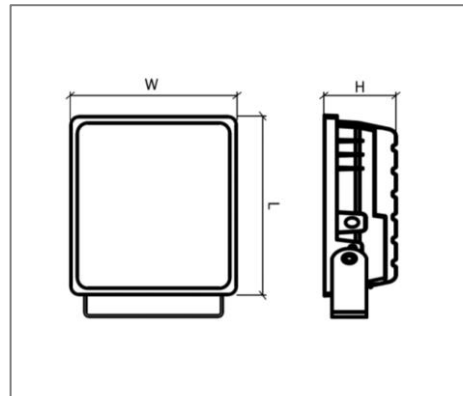
Application

Flood light is designed to use for compound lighting at office buildings, shopping centers, convenience stores, modern trade stores, hotels, residences, recreation centers, museums, signage, billboard etc.

Specification

<b>Input Voltage</b>	200-240 V AC
<b>Power Factor</b>	0.9 Typical
<b>System Efficiency</b>	89%
<b>Rendering Index</b>	Min 80
<b>Operating Temperature</b>	-20 to 50 Degrees Celsius
<b>LED Operating Life</b>	50,000 Hrs
<b>Dimmable</b>	Optional
<b>Driver</b>	Built-in

Ordering Data



Part No.	Power	Lumens	CCT (K)	Dimension	IP Rating
EVO-FL-TG100-NL-30	100W	8500lm	3000K	290(L) x 360(W) x 82.5(H)	IP65
EVO-FL-TG100-NL-40		9000lm	4000K		
EVO-FL-TG100-NL-57		10000lm	6000K		

\* Product specification subject to change according to technology improvement.