

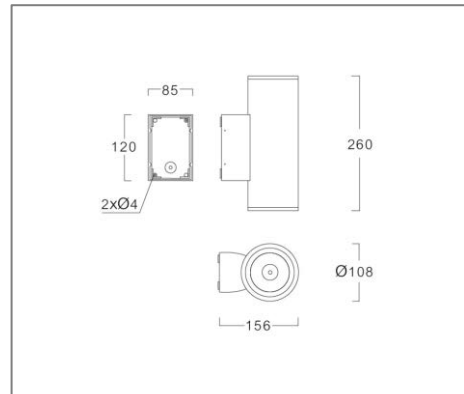
UPDL SERIES

Application

LED Wall light is designed to use for office buildings, hotels, restaurants, residences, recreation centers, museums, etc.

Specification

Input Voltage	200-240 V AC
Power Factor	0.9 Typical
System Efficiency	85%
Rendering Index	Min 80
Operating Temperature	-20 to 45 Degrees Celsius
Housing	Die Cast Aluminium body
Colour	Matt Black
LED Operating Life	30,000 Hrs
Beam Angle	110°



Ordering Data

Part No.	Power	Lumens	CCT (K)	DIMENSION
EVO-UPDL-11-30	11W x 2	900lm x 2	3000K	156(L) x 108(D) x 260(H)
EVO-UPDL-11-40	11W x 2	1000lm x 2	4000K	156(L) x 108(D) x 260(H)

* Product specification subject to change according to technology improvement.