

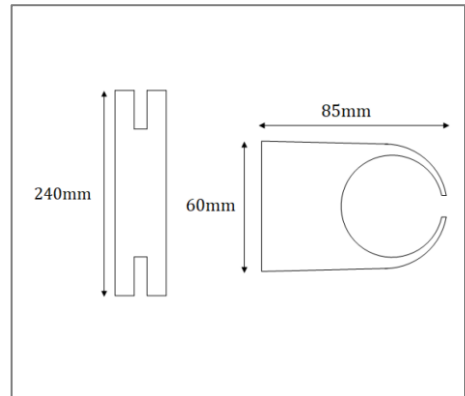
## WL602 SERIES

### Application

LED Wall light is designed to use for office buildings, hotels, restaurants, residences, recreation centers, museums, etc.

### Specification

<b>Input Voltage</b>	200-240 V AC
<b>Power Factor</b>	0.9 Typical
<b>System Efficiency</b>	85%
<b>Rendering Index</b>	Min 80
<b>Operating Temperature</b>	-20 to 45 Degrees Celsius
<b>Housing</b>	Die Cast Aluminium body Glass Diffuser
<b>Colour</b>	Dark Grey
<b>IP Rating</b>	IP54
<b>LED Operating Life</b>	30,000 Hrs
<b>Beam Angle</b>	110°



### Ordering Data

Part No.	Power	Lumens	CCT (K)	DIMENSION
EVO-WL602-3-30	5W x 2	480lm x 2	3000K	240(L) x 60(W) x 85(H)

\* Product specification subject to change according to technology improvement.