

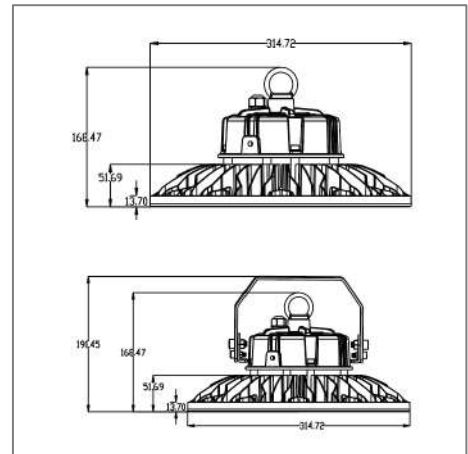
SG-UFO-B150W

Application

It can be widely used in warehouse, workshop, supermarket, underground parking lot, logistic center, indoor stadium light etc.

Features

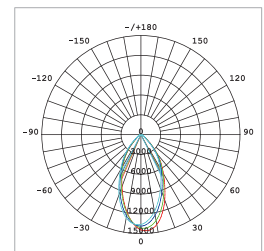
- Die casting technology by ADC 12, excellent thermal management, reduce the temperature difference and ensure the lumen depreciation.
- High strength polycarbonate lens, achieve IK 08, Anti-UV, transmittance > 94%
- Ingress Protection Rating: IP66
- Multiple lighting distributions: 60° /90° /110°
- Top brand LED chip and driver, ensure the product quality and lifetime
- Integrated Breather Valve: Balances the internal & external temperature & humidity
- Luminous efficacy options in OSRAM led chips: 140lm/W to 200lm/W (L70>50000Hrs)



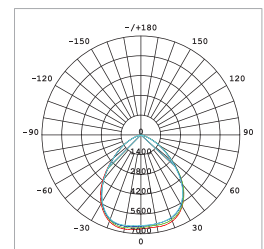
Specifications

Rated Power	150W
Input Voltage	AC85 ~ 265V / AC100 ~ 277V
Chip	OSRAM/ Sanan
CRI	Ra>70, Ra>80
Power Factor	> 0.95
Light Efficacy	140lm/W to 200lm/W
IP Rating	IP65
Working Temperature	-35° ~ +50°
Beam Angle	60° /90° /110°
Warranty	5 years
Dimension	315*131mm
Certificate	CCC / CQC / TUV / CB / FCC / SAA / CE / RoHS / ETL

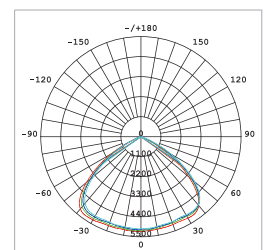
Photometry



60°



90°



110°

* Product specification subject to change according to technology improvement.